

**Serie | 8, Built-in oven, 60 x 60 cm,
Black
HBG655NB1**



Included accessories

1 x enamel baking tray
1 x combination grid
1 x universal pan

- **4D Hot Air:** even heat distribution for perfect results – on any level.
- **AutoPilot 10:** every dish is a perfect success thanks to 10 pre-set automatic programmes.
- **TFT display control:** easy-to-use thanks to the control ring with full text and symbols.
- **EcoClean Direct:** almost no cleaning is necessary thanks to a special coating of the rear and side wall and the roof that automatically absorbs grime and regeneration program.
- **Flap door with SoftOpen and SoftClose:** the oven door opens and closes especially gently and quietly.

Technical data

Color / Material Front : Black
 Integrated Cleaning system : Ecolyse coating all sides, Hydrolytic
 Required niche size for installation (HxWxD) : 585-595 x 560-568 x 550 mm
 Dimensions : 595 x 594 x 548 mm
 Dimensions of the packed product (HxWxD) : 670 x 680 x 670 mm
 Control Panel Material : Glass
 Door Material : Glass
 Net weight : 36.3 kg
 Usable volume of cavity : 71 l
 Heating modes: : , 4D hot air, Bottom heat, Conventional heat, Defrost, Full width grill, Half width grill, Hot Air-Eco, Hot air grilling, low temperature cooking, Pizza setting, pre-heating, warming
 Number of interior lights : 1
 Approval certificates : CE, VDE
 Length electrical supply cord : 120 cm
 Interior Lights - cavity 1 : 1
 : 1-level
 Clock function : Alarm, Off, On
 Included accessories : 1 x enamel baking tray, 1 x combination grid, 1 x universal pan
 Broil Element Wattages cavity 1 : 2800 W
 Convection Element Wattages cavity 1 : 2200 W
 Energy consumption per cycle conventional (2010/30/EC) : 0.87 kWh/cycle
 Energy consumption per cycle forced air convection (2010/30/EC) : 0.69 kWh/cycle
 Energy efficiency index (2010/30/EC) : 81.2 %
 : 3600 W
 Fuse protection : 16 A
 Voltage : 220-240 V
 Frequency : 60; 50 Hz
 Plug type : GARDY plug w/ earthing
 Color / Material Front : Black
 Alternative colors available : HBG655NS1, HBG655NW1
 Approval certificates : CE, VDE
 Required cutout/niche size for installation (in) : x x
 Dimensions of the packed product : 26.37 x 26.37 x 26.77
 Net weight : 80.000 lbs
 Gross weight : 85.000 lbs
 Length electrical supply cord : 120 cm
 Net weight : 36.3 kg
 Gross weight : 38.7 kg



Serie | 8, Built-in oven, 60 x 60 cm, Black HBG655NB1

Type of oven / heating system:

- Bottom, Oven door with SoftClose, Soft opening
- Oven with 13 heating methods:
4D hot air, Hotair Eco., Conventional heat, Conventional heat ECO, Hot air grilling, Full width grill, Half width grill, Pizza setting, Bottom heat, Low temperature cooking, Defrost, Preheating, Hold warm
- Cavity volume: 71 l
- Temperature range 30 °C - 300 °C
- cookControl, 10

Design:

- Bar handle
- Rotary swivel

Cleaning:

- Ecolyse features: back panel, ceiling, side liners
- EcoClean

Comfort:

- Temperature proposal
Actual temperature display
heating-up control
Sabbath setting
- Supporting systems: Programs
- Electronic clock
- Rapid heating-up
- Interior lighting
- Integral cooling fan
- 1 level telescopic shelf, 3 level telescopic shelf rails full extension, with Stop function

Hook-in racks / rails

- Number of shelf levels: 5 PC

Accessory:

- 1 x universal pan, 1 x combination grid, 1 x enamel baking tray

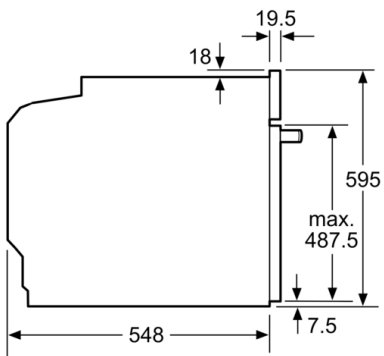
Environment and Safety:

- Child lock
Automatic switch off
Start-/Stop button
Door contact switch
- Maximum window temperature 40° C

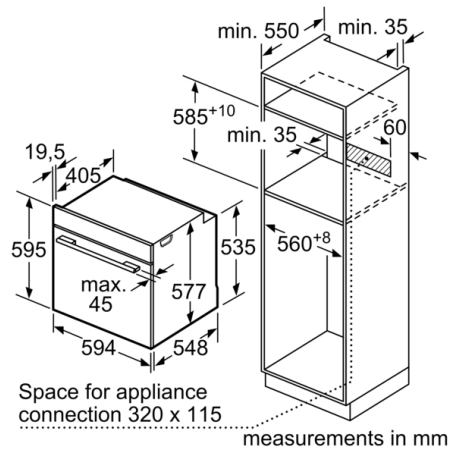
Technical Info:

- Length of mains cable: 120 cm
- Total connected load electric: 3.6 KW
- Appliance dimension (H x W x D): 595 mm x 594 mm x 548 mm
- Niche dimension (hxwxd): 560 mm - 568 mm x 450 mm - 455 mm x 550 mm
- "Please reference the built-in dimensions provided in the installation drawing"

**Serie | 8, Built-in oven, 60 x 60 cm, Black
HBG655NB1**



measurements in mm

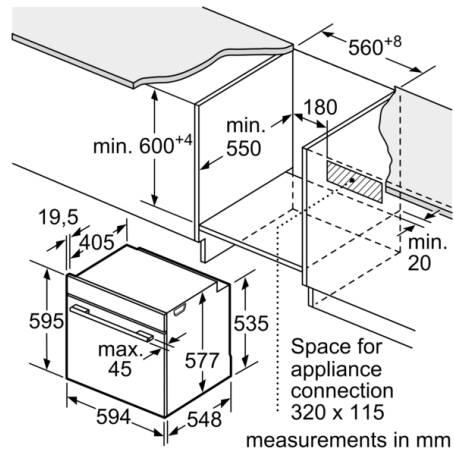


Space for appliance connection 320 x 115

measurements in mm

If the appliance will be installed underneath a hob, the following worktop thicknesses (including substructure if necessary) must be taken into account.

Hob type	min. worktop thickness	
	fitted	flush
Induction hob	37 mm	38 mm
Full surface Induction hob	47 mm	48 mm
Gas hob	30 mm	38 mm
Electric hob	27 mm	30 mm



measurements in mm